

# SCREAMING EAGLE

**NEW 2006**

The “Nesting Eagle”

**ELECTRO-MECHANICAL SIREN**

Low Amps, Loud Warning

- The only “Hidden” Mechanical Siren in the fire industry
- The perfect siren for departments with steel push bumpers
- Concealed mounting behind the bumper on all makes of fire apparatus
- Great for Apparatus without extended bumpers
- Penetrates traffic congestion for faster and safer emergency responses
- Only 44 Amps at continuous operation
- 123 decibels of sound
- SAE J1849 Certification

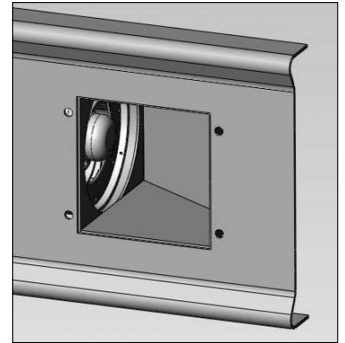


Grill View

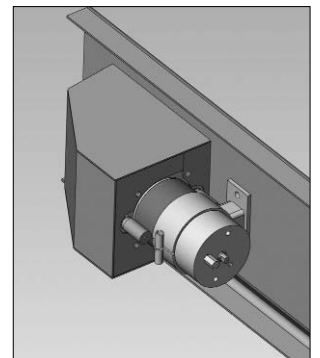
**Model C 9-11-NE**  
Hidden Mount  
12v DC

Dimensions:  
16" L x 7" Deep  
7" High

Cut out hole:  
6" x 6"



Cutaway View No Grill



Cutaway View Mounting



*September 11, 2001  
We Will Remember*

## ***Eagle Sirens, Inc.***

P.O. Box 80705 \* Lansing, MI 48908-0705  
Phone: (517) 627-0702 \* Fax: (517) 627-3702  
[www.eaglesirens.com](http://www.eaglesirens.com)